

ITEM NO.	PART NUMBER	QTY.
1	Driver Side Bracket-1	1
2	Driver Side Support Bracket-1	1
3	Driver Side Bracket-2	2
4	Driver Side Bracket-2	1
5	Driver Side Support Bracket-2	1
6	Passenger Side Bracket-1	1
7	Passenger Side Support Bracket-1	1
8	Passenger Side Bracket-2	2
9	Passenger Side Bracket-2	1
10	Passenger Side Support Bracket-2	1
11	HTCOR6	4
12	HTC 238 - M10x25(4x20x60)	12
13	HTC 269 - CLIPS (M10)	12
14	M10 - Washer	20
15	M10 - Hex Flange Nut	20
16	M10x45 - Square Neck Bolt	4
17	M10 x 25 - Hex Flange Bolt	4

Front Left and right, place Square Neck Bolt and plate inside hole (NR 11+16)

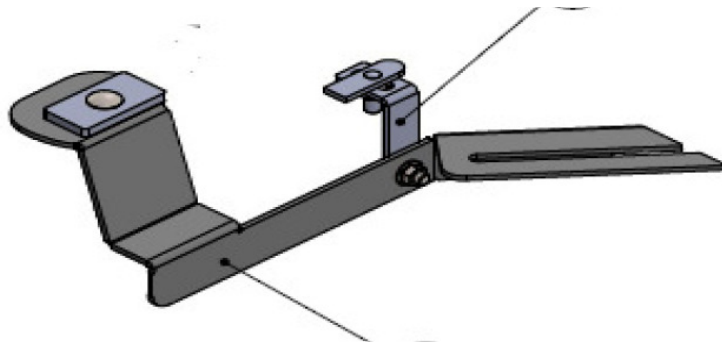


Back Left and Right, place Square Neck Bolt and plate inside hole (NR 11+16)



Place the right bracket on the Bolt and tighten with nut (NR 15)

Mount the support brackets with bold and nut (NR 17+15) , and connect them to the body of the car



Remove cap and place



Middle brackets,



For the middle brackets, remove 2 caps and place boldplates and connect the bracket.

You can use any place/hole, we prefer to divide the forces.